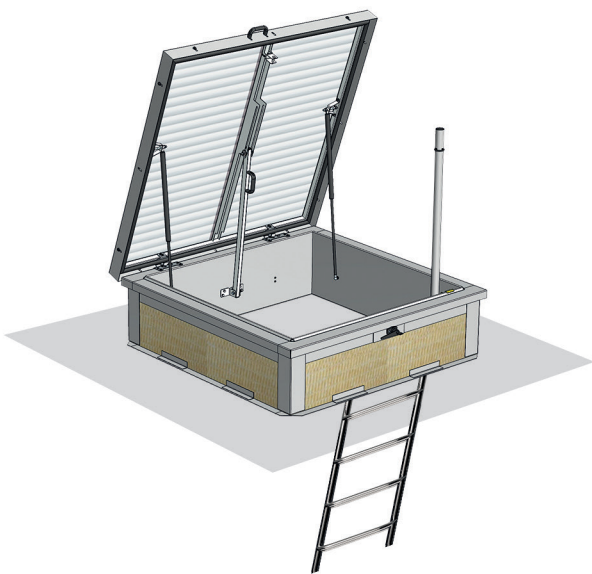
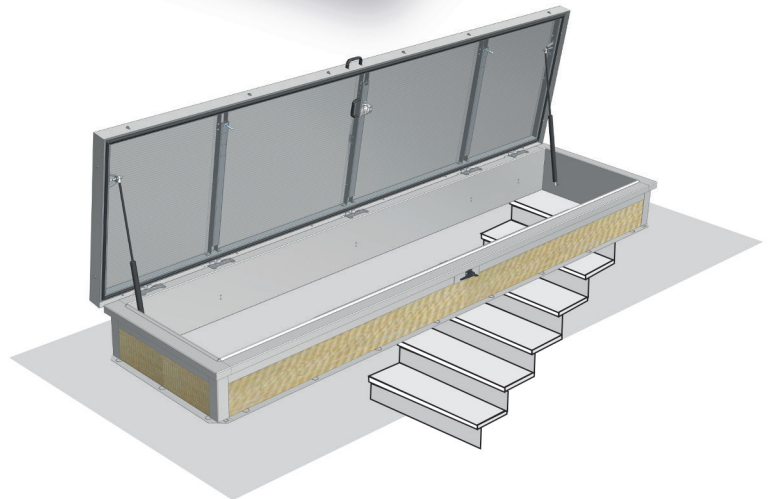


mcr
PROROO
ROOF ACCESS HATCHES



mcr PROROO LD



mcr PROROO ST

mcr PROROO LD and **ST** hatches were designed to allow easy and safe roof access. Additionally the **ST** type provides convenient movement of large-scale packages up and down from the roof. Both **mcr PROROO LD** and **mcr PROROO ST** hatches can provide light inside the building thanks to the optional translucent glazing.

EPDM gasket

water tightness guaranteed by special EPDM gasket

Gas springs

gas springs for easy leaf raising, hatch ST type equipped with an integrated blockage of the leaf

Ladder up grip

folding, possible to use in hatches LD type and in some sizes of ST type

Handle with key

locking from inside and outside (2 keys in standard)

Translucent or solid glazing

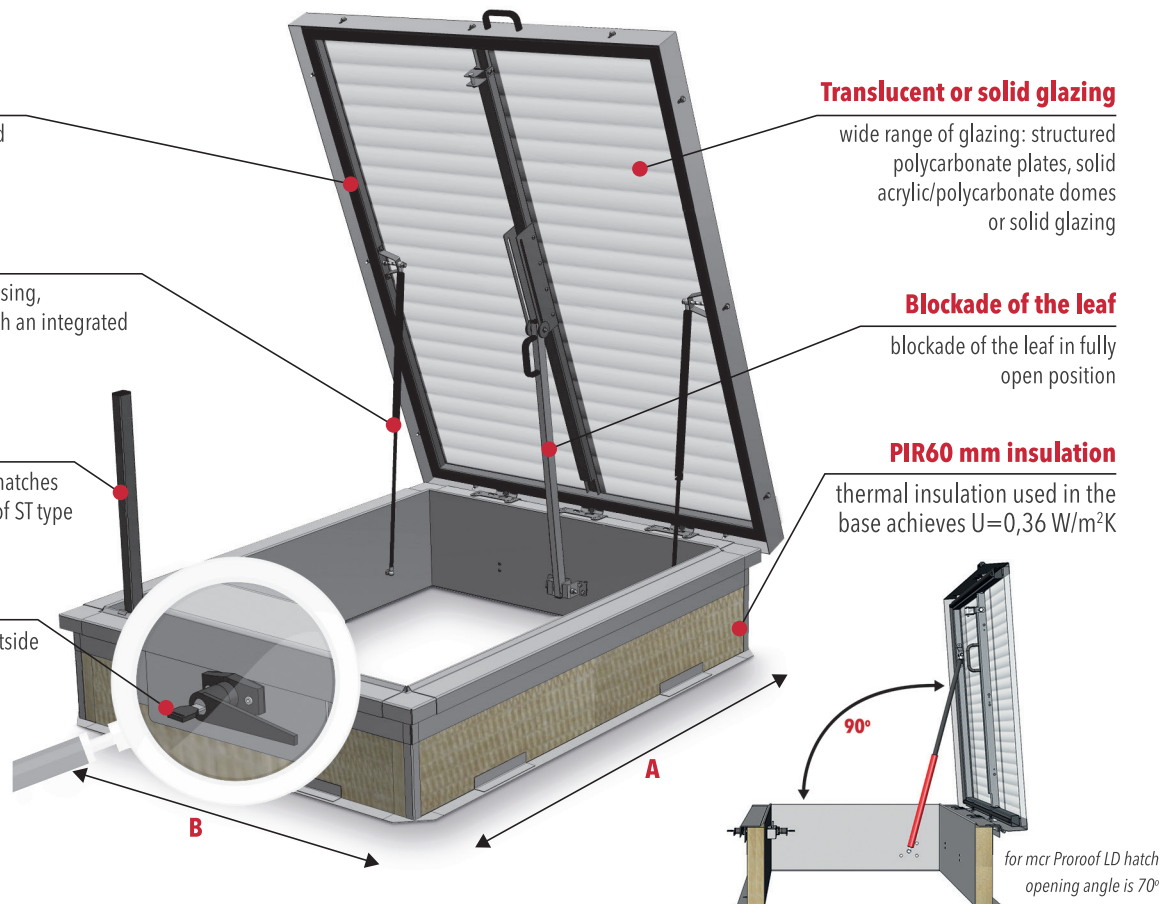
wide range of glazing: structured polycarbonate plates, solid acrylic/polycarbonate domes or solid glazing

Blockade of the leaf

blockade of the leaf in fully open position

PIR60 mm insulation

thermal insulation used in the base achieves $U=0,36 \text{ W/m}^2\text{K}$



■ MAIN FEATURES

- hatch resistance to large soft body impact test
- device designed for:
 - upward load $UL=1500 \text{ Pa}$
 - downward load $DL=1000 \text{ Pa}$
- durable base made of aluminum sheet
- leaf made of high-strength steel profiles

■ ADDITIONAL FEATURES

- device elements painted to any RAL color
- adaptor type of base
- PVC planking
- protection net 1200 J

■ DIMENSIONS

mcr PROROOOF-ST

| width A [mm] | length B [mm] |
|--------------|---------------|
| 750 | 1500 |
| 750 | 2500 |
| 750 | 3300 |

mcr PROROOOF-LD

| width A [mm] | length B [mm] | | | | | | | | |
|--------------|---------------|-----|-----|-----|------|------|------|------|------|
| 600 | 600 | 700 | 800 | 900 | 1000 | 1100 | 1200 | 1300 | 1400 |
| 700 | 600 | 700 | 800 | 900 | 1000 | 1100 | 1200 | 1300 | 1400 |
| 800 | 600 | 700 | 800 | 900 | 1000 | 1100 | 1200 | 1300 | 1400 |
| 900 | 600 | 700 | 800 | 900 | 1000 | 1100 | 1200 | 1300 | 1400 |
| 1000 | 600 | 700 | 800 | 900 | 1000 | 1100 | 1200 | 1300 | 1400 |
| 1100 | 600 | 700 | 800 | 900 | 1000 | 1100 | 1200 | 1300 | 1400 |
| 1200 | 600 | 700 | 800 | 900 | 1000 | 1100 | 1200 | 1300 | 1400 |
| 1300 | 600 | 700 | 800 | 900 | 1000 | 1100 | 1200 | 1300 | 1400 |
| 1400 | 600 | 700 | 800 | 900 | 1000 | 1100 | 1200 | 1300 | 1400 |
| 1500 | 600 | 700 | 800 | 900 | 1000 | 1100 | 1200 | 1300 | 1400 |